

1000W Quartz

Application

The 1.0" O.D. Quartz Gauge uses a AA battery as its power source. Limited space is available for gauge carrier, coiled tubing, and DST operations and the AA battery is the smallest form factor available for powering a quartz tool.

*Make sure to use the battery calculator in the DataCan download software to determine maximum job length for specific applications.

Benefits

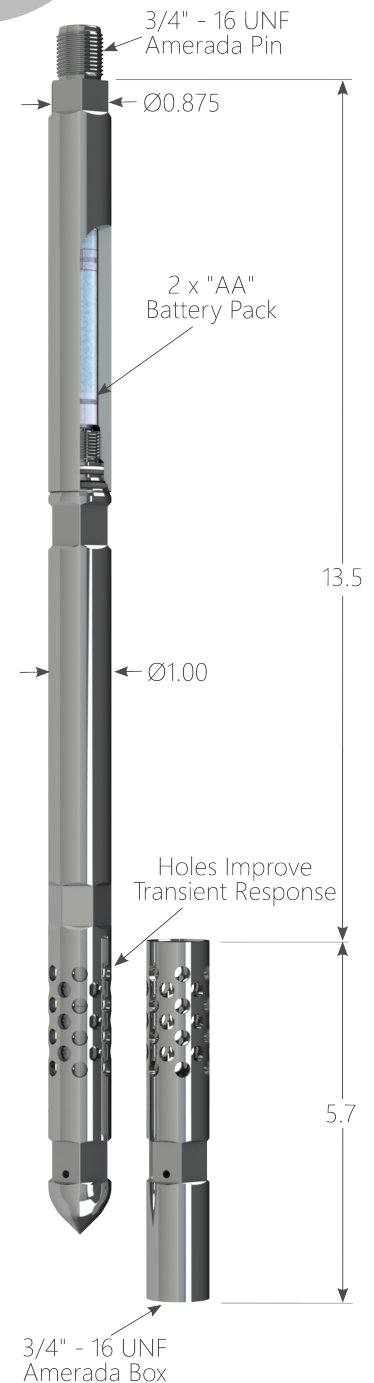
Quartz gauges provide operators with the highest data stability and resolution. DataCan recommends quartz gauges in wells with bottom hole temperatures above 135°C.

Features

- 0.00006% Full-Scale Resolution
- 177°C
- 2 Million Sample Capacity
- Inconel 718 and MP35N – NACE MR0175
- Electron Beam Welded
- Fast Temperature Response

1.00" Quartz Gauge - Inconel 718

Pressure	Temperature	Part No.
10,000 psi	150°C	102391
16,000 psi	150°C	102392
16,000 psi	177°C	102393
20,000 psi	177°C	102394
25,000 psi	177°C	102395
30,000 psi	177°C	114224



Accessories

Accessory Type	Part No.
Bullnose SS316	102396
Crossover 3/4-16 UNF SS316	102398
Crossover HF4 Inconel 718	114237
Battery Barrel 2 X "AA" Inconel 718	102402
Battery Barrel 3 X "AA" Inconel 718	102397
Pelican Case Assembly	100444
USB Download Cable	100682
Redress Kit Viton 90	114361
Redress Kit Aflas 7182B	114362
Redress Kit Chemraz 510	114363
Battery Tester	110944

Compatible Batteries

Size	Max Temp	Part No.
2 x AA	150°C	100411
	165°C	100806
	180°C	100807
	200°C	100412
3 x AA	150°C	101943
	165°C	106873
	180°C	106874
	200°C	101944

Specifications

	Pressure	Temperature
Accuracy	± 0.02 % F.S.	± 0.25°C
Resolution	0.00006% F.S.	0.005°C
Drift	≤ 3 psi/year	< 0.1°C/year
Capacity	2 Million Samples	
Communication Method	USB	

